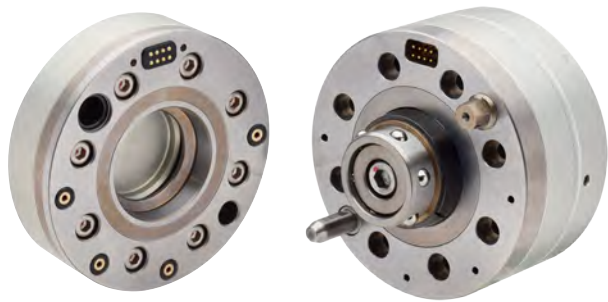


Robotic Hand Changer for Hollow-Arm Robot Suitable for YASKAWA MOTOMAN-GP25 (GP12)



Robotic Hand Changer

Robotic Hand Changer for Hollow-Arm Robot

model **SWRY0135**

Robotic Hand Changer with 25kg Payload and 0.003mm Repeatability
Directly Mounted to YASKAWA MOTOMAN-GP25 and GP12

Zero Interference

Since wiring and piping around the robot wrist is set in the robot, stroke range of the robot can be fully used. The robot can be set up quickly without considering interference during teaching.

Direct Mounting

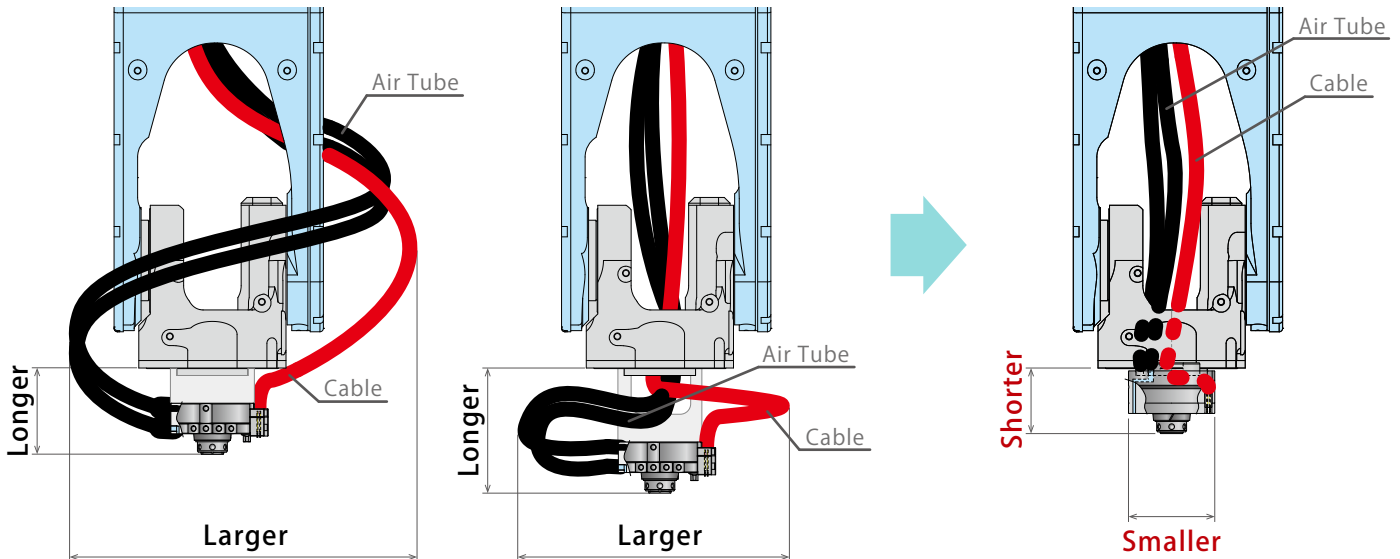
Able to mount to YASKAWA Robots "MOTOMAN-GP25" and "MOTOMAN-GP12" directly. No middle bracket is required for reduction of the preparation.

High Rigidity with Non-Backlash Mechanism

Equipped with Kosmek exclusive non-backlash mechanism, there is no backlash when connected, making it highly rigid and strong to "bending" and "twisting". This enables to use robot's full ability, and allows for higher durability and longer operation life.

3 μ m Repeatability when Connected

Repeatability when connected is 3 μ m even after 1 million use. Even with long tools or hands, fluctuation of the edge is extremely small, and it secures the aimed position.



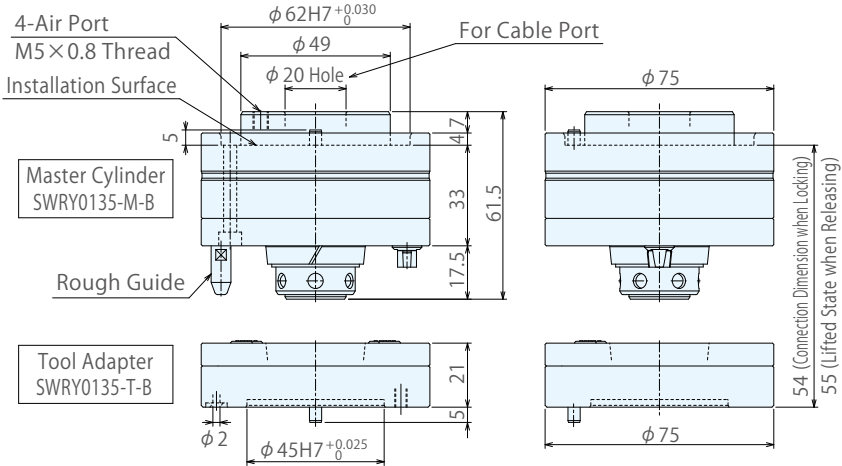
Standard Robotic Hand Changer
model SWR0250

Robotic Hand Changer for Hollow-Arm Robot
model SWRY0135

Simple Wiring Possible

Specifications ※ Contact our sales office in your area for detailed specifications.

Model No.	Master Cylinder Tool Adapter	SWRY0135-M-B SWRY0135-T-B
Payload	kg	25
Repeatability	mm	0.003
Lift Stroke	mm	1.0
Allowable	Bending (at 0.5MPa) N·m	68
Static Moment	Twisting N·m	91
Product Weight	Master Cylinder	g About 600
(Body Part)	Tool Adapter	g About 350
Air Port		M5×0.8×4 ports
Operating Air Pressure	MPa	0.35 ~ 1.0
Operating Temperature	°C	0 ~ 70
Usable Fluid		Dry Air
Electrode Specification		DC24/3A 8 pins



KOSMEK
Harmony in Innovation

- HEAD OFFICE 1-5, 2-Chome, Murotani, Nishi-ku, Kobe 651-2241
TEL.+81-78-991-5162 FAX.+81-78-991-8787
- BRANCH OFFICE (U.S.A.) KOSMEK (U.S.A.) LTD.
650 Springer Drive, Lombard, IL 60148 USA
TEL. +1-630-620-7650 FAX. +1-630-620-9015
- MEXICO REPRESENTATIVE OFFICE KOSMEK USA Mexico Office
Blvd Jurica la Campana 1040, B Colonia Punta Juriquilla Queretaro, QRO 76230 Mexico
TEL.+52-442-161-2347
- BRANCH OFFICE (EUROPE) KOSMEK EUROPE GmbH
Schleppeplatz 2 9020 Klagenfurt am Wörthersee Austria
TEL.+43-463-287587 FAX.+43-463-287587-20
- BRANCH OFFICE (INDIA) KOSMEK LTD - INDIA
F 203, Level-2, First Floor, Prestige Center Point,
Cunningham Road, Bangalore -560052 India
TEL.+91-9880561695
- THAILAND REPRESENTATIVE OFFICE 67 Soi 58, RAMA 9 Rd., Suanluang, Suanluang, Bangkok 10250
TEL. +66-2-300-5132 FAX. +66-2-300-5133

- FOR FURTHER INFORMATION ON UNLISTED SPECIFICATIONS AND SIZES, PLEASE CALL US.
- SPECIFICATIONS IN THIS LEAFLET ARE SUBJECT TO CHANGE WITHOUT NOTICE.



<http://www.kosmek.com>

WAHLTEC
KNOWLEDGE | TRUST | SUCCESS

WAHLTEC GmbH
Ravensburger Str. 14
88361 Altshausen
T: +49 (7584) 9238883
F: +49 (7584) 9238887

www.wahltec.de