

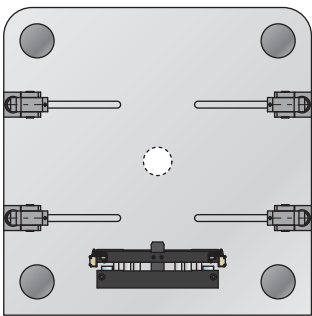
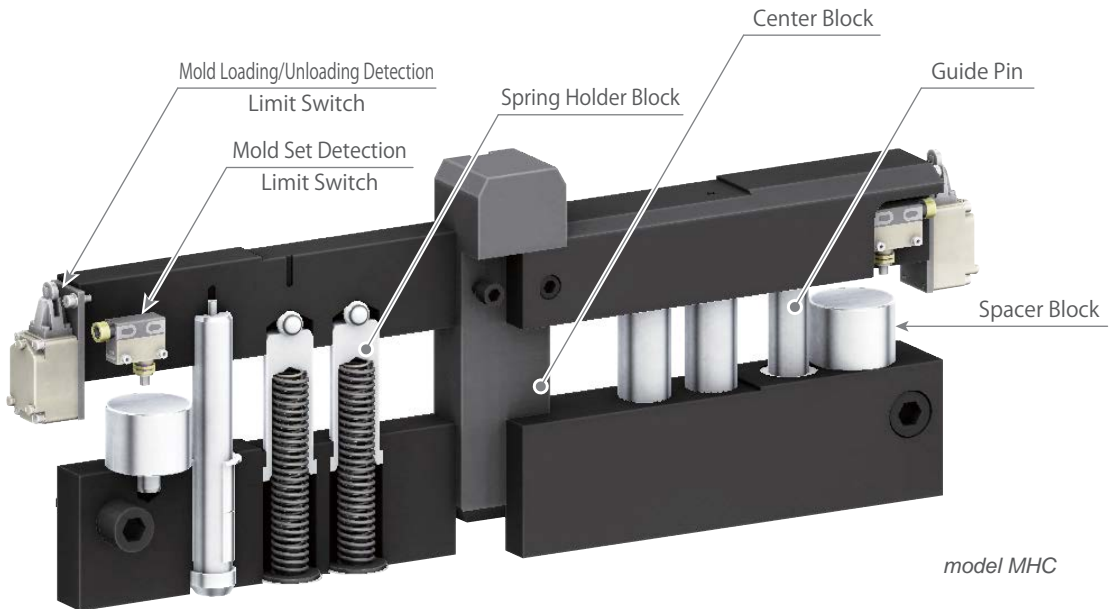
Spring Loaded Mold Locator

PAT. P.

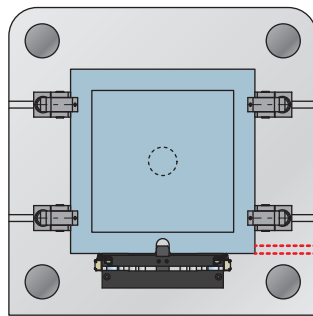
Locates Molds with Non-Standardized Heights!

Point! 1 By changing spacer blocks, one system can locate molds of various dimensions.

Point! 2 Mold locating bar lifts up during the mold change process and automatically locates the mold.

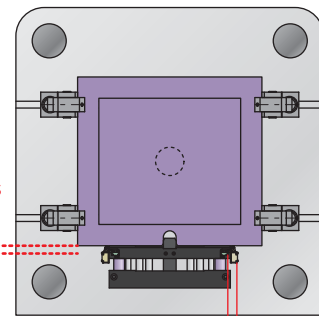


Springs lift the Mold Locator up when no mold is set.



The Mold Locator detects when a mold is being loaded and when the mold is set into place. Interlocks with the IMM are available.

Easy to Locate Molds with Non-Standardized Mold Heights



★ Mold Loading/Unloading Detection
★ Mold Set Detection

Mold Locator Systems are each specially designed to match the specifications of your application (tapped hole and T-slot pattern, mold weight and backplate dimensions, etc.).

Specifications : Main Body

Model No.	MHC****	
IMM Capacity	kN	13000 ~ 30000
Slide Stroke	mm	75
Spring Force	N	127 ~ 370
Operating Temperature	°C	0 ~ 70
Use Frequency	20 Cycles / Day	

Specifications : Limit Switch

Purpose	Mold Loading/Unloading Detection	Mold Landing Detection
Model No.	5LS1-JEC	SL1-H
Maker	Azbil	Azbil
Electrical Rating	AC125V - 5A	AC - 15 : 3A - 250V
	DC125V - 0.8A	AC - 12 : 5A - 250V
	-	DC - 12 : 2A - 48V
LED Light	With LED Light	-

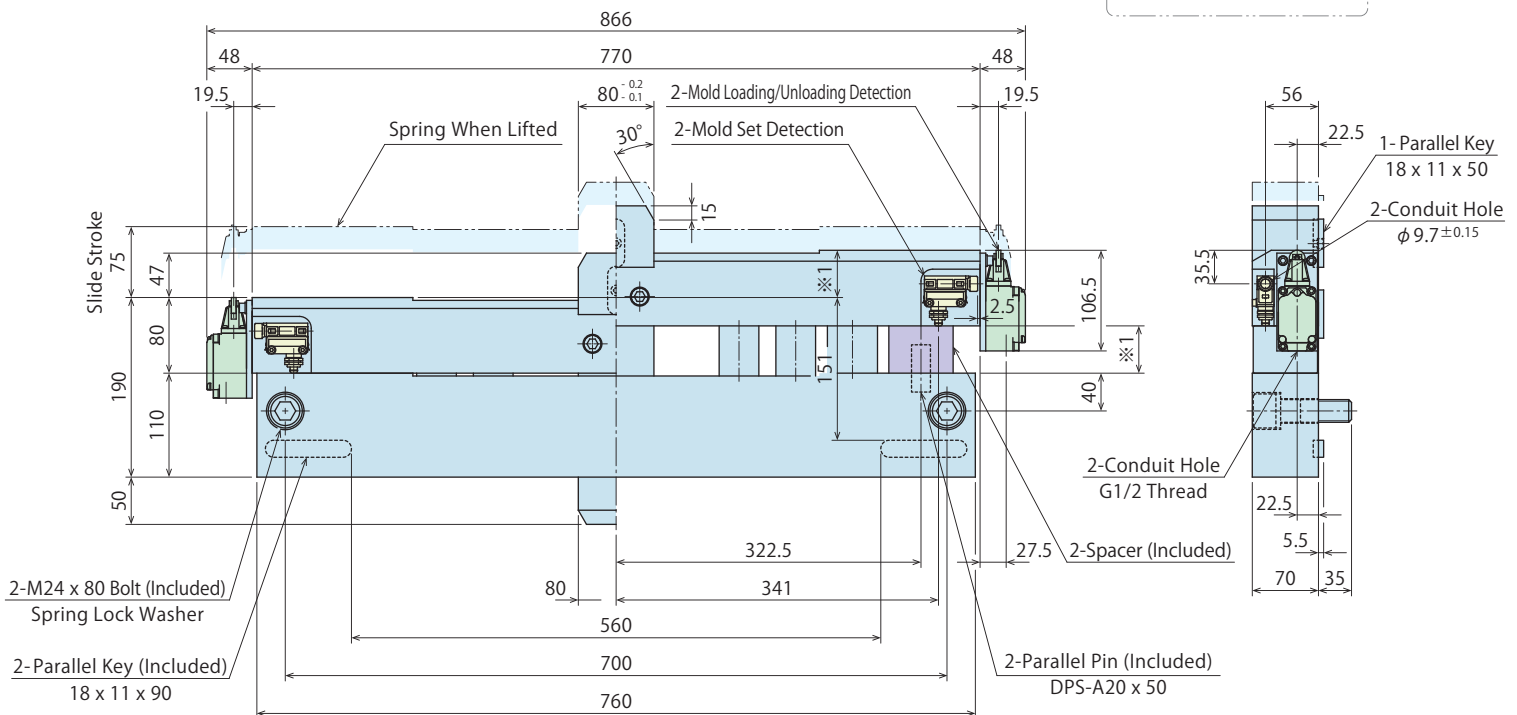
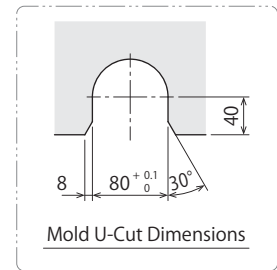
Note: Please contact us for specifications outside those listed above.

External Dimensions

1. The below example shows the stationary platen side.

The Mold Locator is designed to the specifications of the IMM and the molds.

※1. Spacer block thickness. (Please indicate the spacer block thickness in 1mm increments.)



KOSMEK
Harmony in Innovation

KOSMEK LTD. 1-5, 2-chome, Murotani, Nishi-ku, Kobe-city, Hyogo 6512241, Jp
 KOSMEK (USA) LTD. 1441 Branding Avenue, Suite 110, Downers Grove, IL 60515
 KOSMEK (CHINA) LTD. 21/F, Orient International Technology Building, No.58, Xiangchen Rd., Pudong Shanghai 200122., P.R.
 KOSMEK LTD - INDIA F 203, Level-2, First Floor, Prestige Center Point, Cunningham Road, Bangalore -560052
 Thailand Representative Office 67 Soi 58, RAMA 9 Rd., Suanluang, Suanluang, Bangkok 10250, Thailand
 Full Life Trading Co., Ltd. 16F-4, No.2, Jian Ba Rd., Zhonghe District, New Taipei City Taiwan 2
 G. E. T. Inc, Phil. Victoria Wave Special Economic Zone Mt. Apo Building, Brgy. 186, North Caloocan City, Metro Manila, Philippin
 KOS-MECH GmbH Schleppeplatz 2 9020 Klagenfurt Austria
 P.T PANDU HYDRO PNEUMATICS Ruko Green Garden Blok Z-II No.51 Rt. 005 Rw.008 Kedoya Utara-Kebon Jeruk Jakarta Barat 11520 Indc

WAHLTEC®
KNOWLEDGE | TRUST | SUCCESS

WAHLTEC GmbH
 T: +49 (7584) 9238883
 F: +49 (7584) 9238887
 kosmek@wahltec.de
 www.wahltec.de