

Model No. Indication



1 Design No.

0 : Revision Number

2 Switch Type

- A1 : 2-Wire Reed Auto Switch
- A2 : 2-Wire Reed Auto Switch
- A2V : 2-Wire L-Shaped Reed Auto Switch
- B1 : 3-Wire Solid State Auto Switch
- B2 : 3-Wire Solid State Auto Switch
- B3C : 3-Wire L-Shaped Solid State Auto Switch
- B3B : 2-Wire L-Shaped Solid State Auto Switch
- P : 3-Wire Proximity Switch for Gripping Detection (Length 32mm)
- P2 : 3-Wire Proximity Switch for Gripping Detection (Length 16mm)

3 Electric Cable Length \*1

- Blank : 1m
- L : 3m

Note :

\*1. 3 Electric Cable Length is chosen only for A□/B□ Auto Switch of 2 Switch Type. For P□: Proximity Switch for Gripping Detection, electric cable length is all 2m.

Application Table

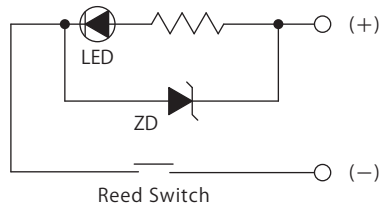
Switch Type	2-Wire Reed Auto Switch			3-Wire Solid State Auto Switch			2-Wire Solid State Auto Switch	Switch Type	3-Wire Proximity Switch for Gripping Detection	
	Model No.	JEP0000-A1□	JEP0000-A2□ JEP0000-A2V□	JEP0000-B1□	JEP0000-B2□	JEP0000-B3C□	JEP0000-B3B□		Model No.	JEP0000-P
SWJ2000					●	●	●	WPP0300	●	●
SWP050□					●	●	●	WPP0400	●	●
SWP100□					●	●	●	WPP0500	●	●
WCG□-T					●	●	●	WPP0600	●	●
WHC020□		●			●	●	●	WPP0800	●	●
WHC032□		●			●	●	●	WPP1000	●	●
WHC040□		●			●	●	●	WPP1250	●	●
WHG□-T					●	●	●	WPQ0200	●	●
WKH200□					●	●	●	WPQ0250	●	●
WKK1000					●	●	●	WPQ0300	●	
WKK2000					●	●	●	WPQ0400	●	
WPA0120		●			●	●	●	WPQ0500	●	
WPA0160		●			●	●	●	WPQ0600	●	
WPA0200		●			●	●	●	WPQ0800	●	
WPA0250		●			●	●	●	WPQ1000	●	
WPB0160		●			●	●	●			
WPB0200		●			●	●	●			
WPB0250		●			●	●	●			
WPE0160		●			●	●	●			
WPE0200	●			●						
WPE0300	●			●						
WPE0400	●			●						
WPE0500	●			●						
WPE0800	●			●						
WPF0100				Not Applicable						
WPF0120		●			●	●	●			
WPF0160		●			●	●	●			
WPF0200	●			●						
WPF0300	●			●						
WPH0100		●			●	●	●			
WPH0160		●			●	●	●			
WPH0200	●			●						
WPJ0120				Not Applicable						
WPJ0160		●			●	●	●			
WPJ0200	●			●						
WPJ0250	●			●						
WPJ0300	●			●						
WPJ0400	●			●						
WPS0160-C		●			●	●	●			
WPS0200-C		●			●	●	●			
WPW0500-C					●	●	●			
WPW0600-C					●	●	●			
WVGT□-T					●	●	●			

## ● JEP0000-A□□ (2-Wire Reed Auto Switch)

### ● Specifications

Model No.	JEP0000-A1	JEP0000-A1L	JEP0000-A2	JEP0000-A2L	JEP0000-A2V	JEP0000-A2VL
Name	Reed Auto Switch					
Wiring Type	2-Wire					
Applicable Load	Relay, Programmable Logic Controller (PLC)					
Load Voltage / Load Current	Less than DC24V / 40mA Less than AC100V / 20mA					
Internal Voltage Drop	Less than 3V					
Operating Time	1ms					
Ambient Temperature	-10 ~ 60°C					
Withstand Voltage	AC1500V (There should be no abnormalities in 1 min. application.)					
Leakage Current	0					
Shock Resistance	30G					
Protection Circuit	None					
Protection Grade	IP67 (IEC Standard)					
Indicator Light	Red LED illuminates when turned ON					
Electric Cable Length	1m	3m	1m	3m	1m	3m

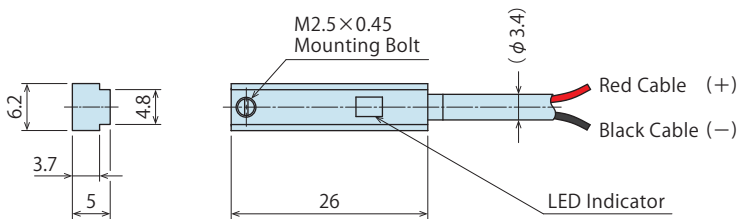
### ● Electric Circuit Diagram



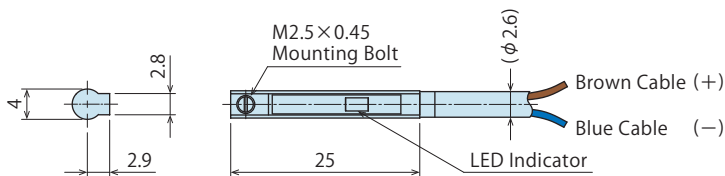
Note :

1. Auto switch will instantly break due to over loading current if turning on the auto switches without connecting the load. (Refer to Notes on Wiring 4) and 5) on P.413.)

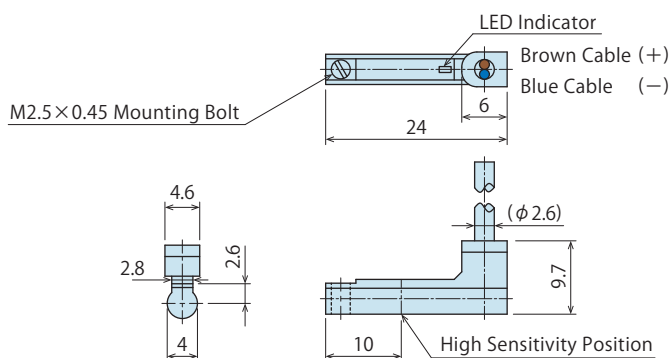
### ● External Dimensions : JEP0000-A1 / A1L



### ● External Dimensions : JEP0000-A2 / A2L



### ● External Dimensions : JEP0000-A2V / A2VL



Locating + Clamp

Locating

Hand + Clamp

Support

Valve + Coupler

Cautions + Others

Pallet Gripper

WVA

Locating Pin Clamp

SWP

High-Power Pull Stud Clamp

WPT

JES

FA Pneumatic Hole Clamp

WKH

Lifting Hole Clamp

SWJ

Ball Lock Cylinder

WKA

Pneumatic Robotic Hands

WPW-C

WPS-C

WPA

WPH

WPP

WPQ

Auto Switch Proximity Switch

JEP

High-Power Pneumatic Hole Clamp

SWE

High-Power Pneumatic Swing Clamp

WHE

High-Power Pneumatic Link Clamp

WCE

Pneumatic Hole Clamp

SWA

Pneumatic Swing Clamp

WHA

Double Piston Pneumatic Swing Clamp

WHD

Pneumatic Link Clamp

WCA

Air Flow Control Valve

BZW

Manifold Block

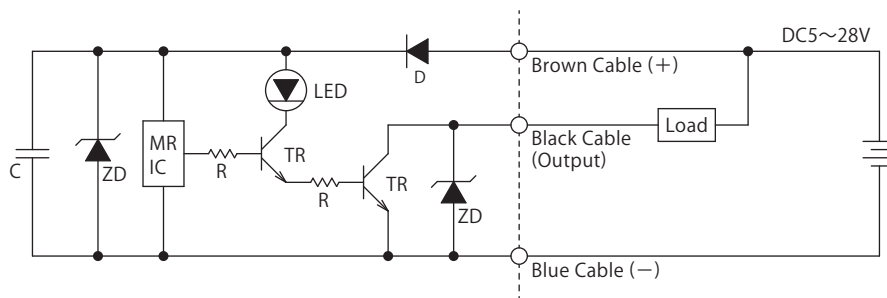
WHZ-MD

● JEP0000-B1 / B1L / B2 / B2L (3-Wire Solid State Auto Switch)

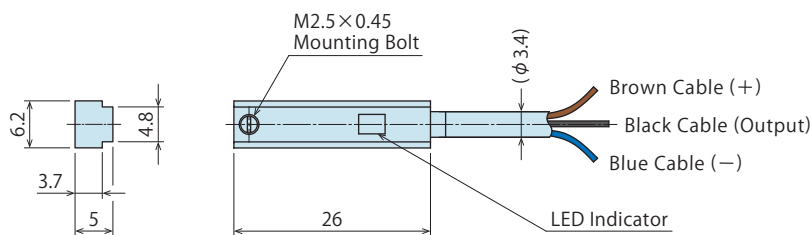
● Specifications

Model No.	JEP0000-B1	JEP0000-B1L	JEP0000-B2	JEP0000-B2L
Name	Solid State Auto Switch			
Wiring Type	3-Wire			
Applicable Load	Relay, Programmable Logic Controller (PLC)			
Output Type	NPN			
Load Voltage / Load Current	Less than DC5 ~ 28V / 50mA			
Internal Voltage Drop	Less than 0.8V			
Leakage Current	Less than 0.1mA			
Current Consumption	Less than 10mA			
Operating Time	Less than 1ms			
Ambient Temperature	-10 ~ 60°C			
Withstand Voltage	AC1500V (There should be no abnormalities in 1 min. application.)			
Insulation Resistance	More than 50MΩ / DC500V (Between the Case and Signal Cable)			
Shock Resistance	30G			
Protection Grade	IP67 (IEC Standard)			
Indicator Light	Red LED illuminates when turned ON			
Electric Cable Length	1m	3m	1m	3m

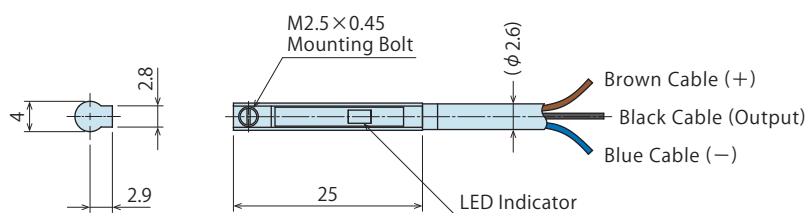
● Electric Circuit Diagram



● External Dimensions : JEP0000-B1 / B1L



● External Dimensions : JEP0000-B2 / B2L

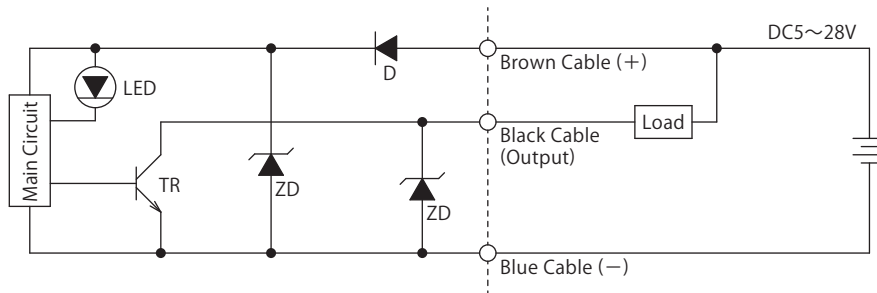


**JEP0000-B3C / B3CL (3-Wire L-Shaped Solid State Auto Switch)**

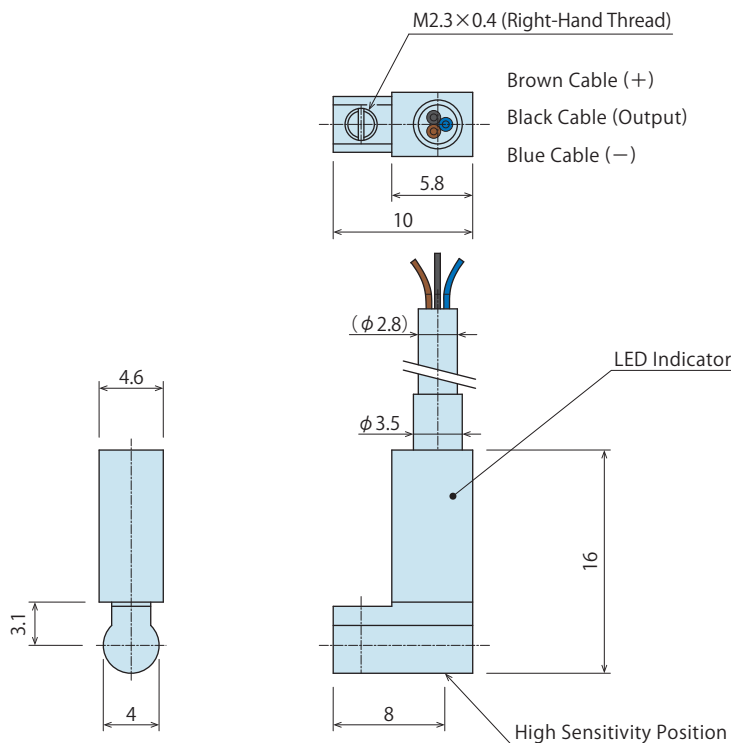
**Specifications**

Model No.	JEP0000-B3C	JEP0000-B3CL
Name	Solid State Auto Switch	
Wiring Type	3-Wire	
Applicable Load	Relay, Programmable Logic Controller (PLC)	
Output Type	NPN	
Load Voltage / Load Current	DC5 ~ 28V / 50mA	
Internal Voltage Drop	Less than 0.8V	
Leakage Current	Less than 0.1mA	
Current Consumption	Less than 10 mA	
Operating Time	Less than 1ms	
Ambient Temperature	-10 ~ 60°C	
Withstand Voltage	AC1500V (There should be no abnormalities in 1 min. application.)	
Insulation Resistance	More than 100MΩ / DC500V (Between the Case and Signal Cable)	
Shock Resistance	30G	
Protection Grade	IP67(IEC Standard)	
Indicator Light	Red LED illuminates when turned ON	
Electric Cable Length	<b>1m</b>	<b>3m</b>

**Electric Circuit Diagram**



**External Dimensions : JEP0000-B3C / B3CL**



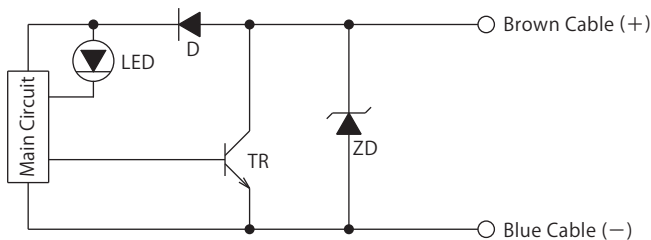
- Locating + Clamp
- Locating
- Hand + Clamp
- Support
- Valve + Coupler
- Cautions + Others
- Pallet Gripper
  - WVA
- Locating Pin Clamp
  - SWP
- High-Power Pull Stud Clamp
  - WPT
  - JES
- FA Pneumatic Hole Clamp
  - WKH
- Lifting Hole Clamp
  - SWJ
- Ball Lock Cylinder
  - WKA
- Pneumatic Robotic Hands
  - WPW-C
  - WPS-C
  - WPA
  - WPH
  - WPP
  - WPQ
- Auto Switch Proximity Switch
  - JEP
- High-Power Pneumatic Hole Clamp
  - SWE
- High-Power Pneumatic Swing Clamp
  - WHE
- High-Power Pneumatic Link Clamp
  - WCE
- Pneumatic Hole Clamp
  - SWA
- Pneumatic Swing Clamp
  - WHA
- Double Piston Pneumatic Swing Clamp
  - WHD
- Pneumatic Link Clamp
  - WCA
- Air Flow Control Valve
  - BZW
- Manifold Block
  - WHZ-MD

● JEP0000-B3B/B3BL (2-Wire L-Shaped Solid State Auto Switch)

● Specifications

Model No.	JEP0000-B3B	JEP0000-B3BL
Name	Solid State Auto Switch	
Wiring Type	2-Wire	
Applicable Load	Relay, Programmable Logic Controller (PLC)	
Load Voltage / Load Current	Less than DC10~28V / 50mA	
Internal Voltage Drop	Less than 5V	
Leakage Current	Less than 1mA	
Current Consumption	Less than 10 mA	
Operating Time	Less than 1ms	
Ambient Temperature	-10~60°C	
Withstand Voltage	AC1500V (There should be no abnormalities in 1 min. application.)	
Insulation Resistance	More than 50MΩ / DC500V (Between the Case and Signal Cable)	
Shock Resistance	30G	
Protection Grade	IP67 (IEC Standard)	
Indicator Light	Red LED illuminates when turned ON	
Electric Cable Length	1m	3m

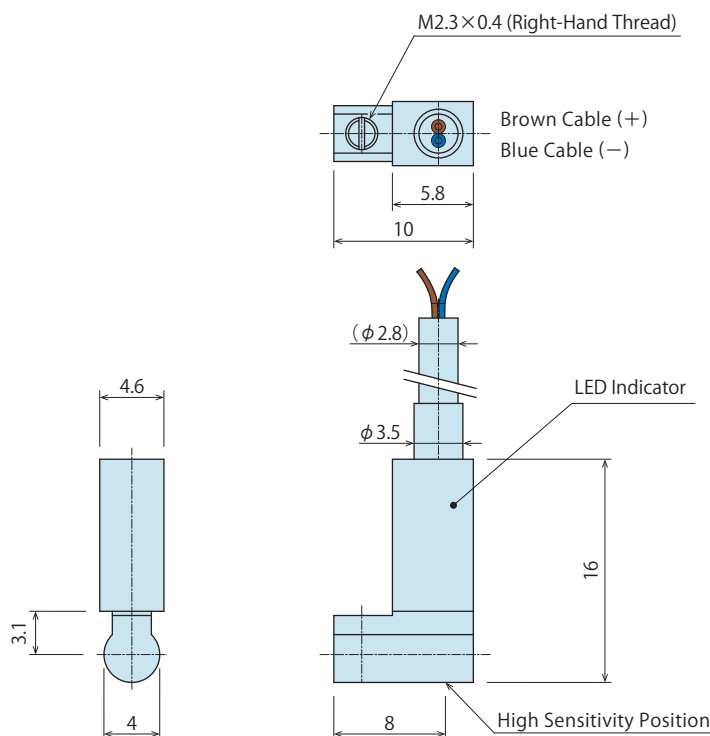
● Electric Circuit Diagram



Note :

1. Auto switch will instantly break due to over loading current if turning on the auto switches without connecting the load. (Refer to Notes on Wiring 4) and 5) on P.413.)

● External Dimensions : JEP0000-B3B/B3BL

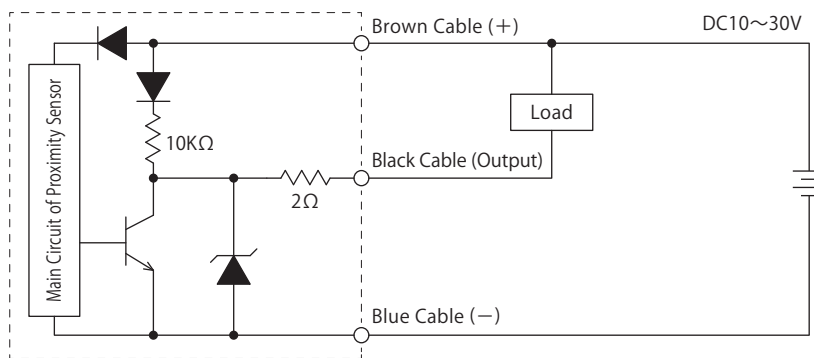


## ● JEP0000-P / P2 (3-Wire Proximity Switch for Gripping Detection)

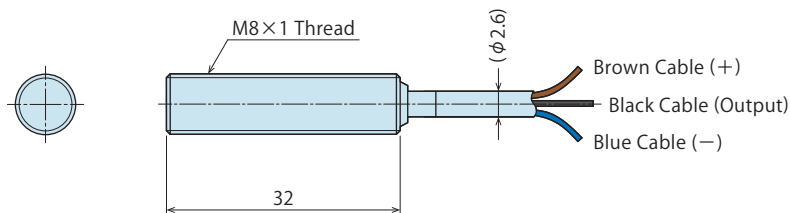
### ● Specifications

Model No.	JEP0000-P	JEP0000-P2
Name	Proximity Switch for Gripping Detection	
Wiring Type	3-Wire	
Output Type	NPN	
Moving Distance	1mm ± 10%	
Voltage Range	DC10 ~ 30V	
Opening / Closing Voltage	Less than 200mA	
Current Consumption	Less than 10mA	
Response Frequency	800Hz	
Ambient Temperature	-25 ~ 70°C	
Withstand Voltage	AC2000V (There should be no abnormalities in 1 min. application.)	
Protection Grade	IP67 (IEC Standard)	
Indicator Light	Red LED illuminates when turned ON	
Electric Cable Length	2m	

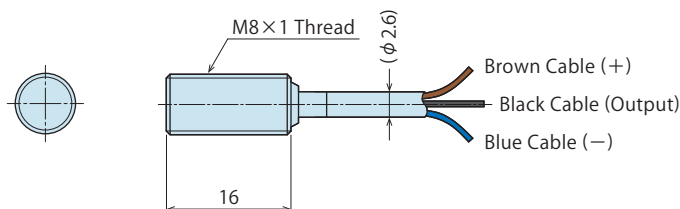
### ● Electric Circuit Diagram



### ● External Dimensions : JEP0000-P



### ● External Dimensions : JEP0000-P2



Locating + Clamp

Locating

Hand + Clamp

Support

Valve + Coupler

Cautions + Others

Pallet Gripper

WVA

Locating Pin Clamp

SWP

High-Power Pull Stud Clamp

WPT

JES

FA Pneumatic Hole Clamp

WKH

Lifting Hole Clamp

SWJ

Ball Lock Cylinder

WKA

Pneumatic Robotic Hands

WPW-C

WPS-C

WPA

WPH

WPP

WPQ

Auto Switch Proximity Switch

JEP

High-Power Pneumatic Hole Clamp

SWE

High-Power Pneumatic Swing Clamp

WHE

High-Power Pneumatic Link Clamp

WCE

Pneumatic Hole Clamp

SWA

Pneumatic Swing Clamp

WHA

Double Piston Pneumatic Swing Clamp

WHD

Pneumatic Link Clamp

WCA

Air Flow Control Valve

BZW

Manifold Block

WHZ-MD

## Cautions

### ● Notes for Design

- 1) Check the Specifications
  - Please use each product according to the specifications.  
The product may be damaged or malfunction if used outside the range of load or specifications.
- 2) Notes on Use in the Interlock Circuit
  - When the auto switch is used for an interlock signal that requires high reliability, please use a double interlock system by providing a mechanical protection function. Or by using another safety switch (sensor) together with the auto switch. Also, please perform periodic maintenance and confirm proper operation.
- 3) Wiring should be prepared as short as possible.
  - For the reed auto switch, if the wiring length to the load is excessively long, inrush current to the auto switch increases and the operational life span will be shortened. (Remains ON)
  - If the wiring length of the solid state auto switch is long, we recommend installing the ferrite core on both ends of the electric cable for noise control.
- 4) Notes when connecting to a load that generates surge voltage.
  - When connecting a load that generates surge voltage such as relay, please use the auto switch equipped with junction protective circuit or use a junction protective element connecting to the auto switch in parallel.
  - If surge voltage is repeatedly generated even with the auto switch equipped with junction protective circuit, it may damage the contact. In this case, please reduce the surge voltage by connecting a surge-absorption element to a surge-generating source (load) in parallel.
- 5) Notes when connecting auto switches in series.
  - Due to voltage drop (refer to internal voltage drop on the specifications) caused by LED, voltage drop of n auto switches connected in series will be multiplied by n times. As a result, in some cases the load will not activate even if the auto switch drives properly.
- 6) Be careful with the polarity when wiring.
  - When connected reversely, the auto switch may malfunction or be damaged.
- 7) When multiple cylinders or robotic hands are placed close together.
  - Please provide enough space when using multiple actuators such as cylinders or robotic hands equipped with auto switches. (If allowable distance of each actuator is specified please follow specified instructions.) If they are too close, auto switches may malfunction due to magnetic interference.
- 8) Secure space for maintenance and inspection
  - Please secure space for maintenance and inspection of auto switches when setting actuators such as cylinders and robotic hands equipped with auto switches.

## ● Notes on Operating Environment

- 1) Never use the product in an atmosphere with explosive gases.
  - Auto switches are not designed to prevent explosion. Do not use the product in an atmosphere with explosive gases since it may cause serious explosions.
- 2) Do not use the product in an area where a magnetic field is generated.
  - Auto switches may malfunction, or internal magnet actuators, such as cylinders or robotic hands, equipped with auto switches will be demagnetized.
- 3) Do not use the product in an environment where the auto switches are continuously exposed to water or coolant.
  - Although IEC standard IP67 structure is satisfied, please avoid using auto switches in an environment where continuously exposed to water or coolant. This may cause insulation failure or malfunction.
- 4) Do not use the product in an environment with oil or chemicals.
  - If auto switches are used in an environment with coolant or cleaning solvent, even in a short time, they may be adversely affected by improper insulation, malfunction due to swelling of potting resin and/or hardening of electric cable.
- 5) Do not use the product in an environment subject to large temperature cycle.
  - Heat cycles other than ordinary changes in temperature may adversely affect the internal structure of auto switches.
- 6) Avoid accumulation of steel dust and close connection of magnetic materials.
  - An amount of steel chips or steel dusts, such as sputters of welding accumulate around an actuator. Cylinders, robotic hand equipped with auto switches and or magnetic materials (those attracted by magnet) are gathered closely to the actuator. These can weaken internal magnet actuators.
- 7) Do not use the product in an environment with excessive impact.
  - Under the condition of the excessive impact of more than 30G, the contact of the reed auto switch will malfunction and the indicator light may signal or may be disconnected.

## ● Installation Notes

- 1) Do not drop or bump.
  - Do not drop, bump or apply excessive impact on auto switches. The auto switches may be damaged and cause malfunction.
- 2) Tighten auto switches with appropriate tightening torque.
  - Please follow the tightening torque below. Excessive tightening torque may damage the mounting screw, fitting or main body of the auto switch. Also, mounting position may be shifted due to insufficient tightening torque.

Mounting Screw Size	Tightening Torque (N·m)
M2.3×0.4	0.15
M2.5×0.45	0.25

- 3) Do not carry cylinders or robotic hands by holding the electric cable of the auto switch.
  - It may break the electric cable or damage the internal element.
- 4) Do not fix auto switches with the mounting screws other than attached in main body of the auto switches.
  - Using non-designated screws may damage auto switches.
- 5) Install the auto switches at the center of the operating area.
  - Installation position of auto switches should be adjusted so that a detected object (piston etc.) stops at the center of operating range. (Installation position shown in the catalog shows the most suitable fixed position of stroke end.) Please refer to P.345 for WPS, P.355 for WPA, P.363 for WPH, P.375 for WPP and P.391 for WPQ. If the auto switches are installed at the edge of operating range (near the boundary of ON and OFF), output movement may be unstable.
- 6) Installation position of the auto switches should be adjusted by checking actual operating state.
  - Depending on the installation environment, actuators such as cylinders and robotic hands may not operate properly even if they are installed to the appropriate position. Make sure to check the operating condition even when mounting them at the middle of the stroke.

 Locating  
+  
Clamp

Locating

Hand + Clamp

Support

Valve + Coupler

Cautions + Others

 Pallet Gripper  
WVA

 Locating  
Pin Clamp  
SWP

 High-Power  
Pull Stud Clamp  
WPT  
JES

 FA Pneumatic  
Hole Clamp  
WKH

 Lifting  
Hole Clamp  
SWJ

 Ball Lock  
Cylinder  
WKA

 Pneumatic  
Robotic Hands  
WPW-C  
WPS-C  
WPA  
WPH  
WPP  
WPQ

 Auto Switch  
Proximity Switch  
JEP

 High-Power Pneumatic  
Hole Clamp  
SWE

 High-Power Pneumatic  
Swing Clamp  
WHE

 High-Power Pneumatic  
Link Clamp  
WCE

 Pneumatic  
Hole Clamp  
SWA

 Pneumatic  
Swing Clamp  
WHA

 Double Piston  
Pneumatic  
Swing Clamp  
WHD

 Pneumatic  
Link Clamp  
WCA

 Air Flow  
Control Valve  
BZW

 Manifold  
Block  
WHZ-MD



## ● Cautions

### ● Notes on Wiring

- 1) Check the insulation of wiring.
  - Insulation failure (interference with other circuit, ground fault, and insulation failure between terminals) may send excessive voltage or current to the auto switches causing damage.
- 2) Do not place wires and auto switch cables close to other cables and high voltage cables.
  - Otherwise, surge voltages will be induced creating noise and leading to malfunctions.
- 3) Repeated bending stress or stretching force should be avoided on electric cables.
  - Wiring with bending stress or stretching force repeatedly applied on electric cables will prematurely breakdown.  
Bending stress or stretching force applied on the connecting area of electric cables and main body of the auto switches will damage the electric cables.  
Auto switches or wires should not be moving especially near the connecting areas.
- 4) Make sure to check the load state (connection and current value) before turning on the power.
  - For 2-Wire Type  
Auto switches will instantly break due to over loading current if turning on the auto switches without connecting the load (Shorted Load Circuit). The above statement is also applied to the condition when the brown cable (+, output) of 2-wire type is directly connected to the (+) power terminal of a fixture and etc.
- 5) Avoid shorted load circuit.
  - Reed Auto Switch  
Auto switches will instantly break due to over loading current if turning on the auto switch in load short circuit condition.
  - Solid State Auto Switch  
Be aware of auto switch breakages when products with PNP output is not equipped with short-circuit protection.
- 6) Avoid wrong wiring
  - Reed Auto Switch  
The electric circuit has polarities. The reed switch can operate even with reversed connection, but LED light will not illuminate. Also, flowing excessive current will damage LED and it will not operate properly.
  - Solid State Auto Switch  
In case of 2-wire type, even if connected reversely, the auto switch will not be damaged due to protection circuit, but it is always ON.  
If reversely connected under short circuit condition, the auto switch will be damaged.  
In case of 3-wire type, even if the connections are reversed (power supply line "+" and "-" ), the auto switch will be protected by a protection circuit.  
However, if connecting the power supply "+" to the blue cable and "-" to the black cable, the auto switch will be damaged.

### ● Notes on Handling

- 1) It should be operated by qualified personnel.
  - Machines and devices with hydraulic and pneumatic equipment should be operated and maintained by qualified personnel.
- 2) Do not operate or remove the product unless the safety protocols are ensured.
  - ① The machine and equipment can only be inspected or prepared when it is confirmed that the safety devices are in place.
  - ② Before the product is removed, make sure that the above-mentioned safety devices are in place. Shut off the pressure and power source, and make sure no pressure exists in the air and hydraulic circuits.
  - ③ After stopping the product, do not remove until the temperature drops.
  - ④ Make sure there is no trouble/issue in the bolts and respective parts before restarting the machine or equipment.
- 3) Do not disassemble or modify.
  - If the equipment is taken apart or modified, the warranty will be voided even within the warranty period.

## ● Maintenance • Inspection

Conduct the below maintenances and inspections periodically in order to avoid unintended malfunctions and to ensure the safety.

- 1) Removal of the Product and Shut-off of Pressure Source
  - Before removing the product, make sure that safety devices and preventive devices are in place. Shut off the pressure and power source, and make sure no pressure exists in the air and hydraulic circuits.
  - Make sure there is no trouble/issue in the bolts and respective parts before restarting.
- 2) Never touch terminals while the power is on.
  - It will cause electric shock, malfunction and damage to the auto switches.
- 3) Retightening of Mounting Screws
  - Retighten the screws after adjusting the mounting position when the mounting position of the auto switches is shifted due to the looseness of the mounting screws.
- 4) Check if the electric cable is damaged or not.
  - Damaged cables may cause insulation failure. Exchange the auto switch or repair the reed if there is damage on the electric cable.
- 5) Check the setting position of the detector.
  - Confirm the set position is stopped at the center of the detecting range (the area that red LED illuminates).
- 6) Cleaning Auto Switches
  - The auto switch should be clean. Do not use benzene, paint thinner or alcohol for cleaning. Doing so will cause scratches on the product and indications may be erased. If it is hard to remove stains from the product, wipe it out with a cloth soaked in a neutral detergent diluted with water. Wipe with a dry cloth to remove wet residue.
- 7) Product Storage
  - Keep the product out of direct sunlight in a cool area where it is protected from water and humidity.
- 8) Please contact us for auto switch replacements.

Locating  
+  
Clamp

Locating

Hand • Clamp

Support

Valve • Coupler

Cautions • Others

Pallet Gripper

WVA

Locating  
Pin Clamp

SWP

High-Power  
Pull Stud Clamp

WPT

JES

FA Pneumatic  
Hole Clamp

WKH

Lifting  
Hole Clamp

SWJ

Ball Lock  
Cylinder

WKA

Pneumatic  
Robotic Hands

WPW-C

WPS-C

WPA

WPH

WPP

WPQ

Auto Switch  
Proximity Switch

JEP

High-Power Pneumatic  
Hole Clamp

SWE

High-Power Pneumatic  
Swing Clamp

WHE

High-Power Pneumatic  
Link Clamp

WCE

Pneumatic  
Hole Clamp

SWA

Pneumatic  
Swing Clamp

WHA

Double Piston  
Pneumatic  
Swing Clamp

WHD

Pneumatic  
Link Clamp

WCA

Air Flow  
Control Valve

BZW

Manifold  
Block

WHZ-MD

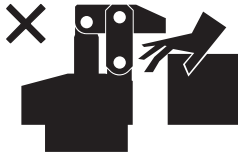
※ Please refer to P.716 for common cautions.

• Warranty

## ● Cautions

### ● Notes on Handling

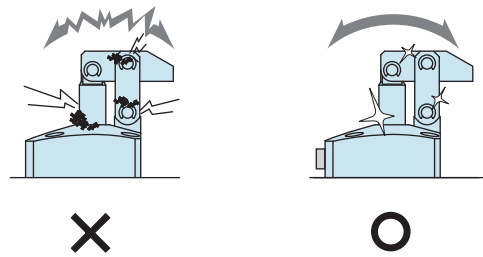
- 1) It should be operated by qualified personnel.
  - The hydraulic machine and air compressor should be operated and maintained by qualified personnel.
- 2) Do not operate or remove the product unless the safety protocols are ensured.
  - ① The machine and equipment can only be inspected or prepared when it is confirmed that the safety devices are in place.
  - ② Before the product is removed, make sure that the above-mentioned safety devices are in place. Shut off the pressure and power source, and make sure no pressure exists in the air and hydraulic circuits.
  - ③ After stopping the product, do not remove until the temperature drops.
  - ④ Make sure there is no trouble/issue in the bolts and respective parts before restarting the machine or equipment.
- 3) Do not touch a clamp (cylinder) while it is working. Otherwise, your hands may be injured.



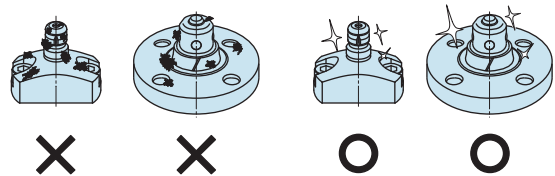
- 4) Do not disassemble or modify.
  - If the equipment is taken apart or modified, the warranty will be voided even within the warranty period.

### ● Maintenance and Inspection

- 1) Removal of the Machine and Shut-off of Pressure Source
  - Before removing the product, make sure that the safety devices are in place. Shut off the pressure and power source and make sure no pressure exists in the air and hydraulic circuits.
  - Make sure there is no trouble/issue in the bolts and respective parts before restarting.
- 2) Regularly clean the area around the piston rod and plunger.
  - If it is used when the surface is contaminated with dirt, it may lead to packing seal damage, malfunctioning, fluid leakage.



- 3) Regularly clean the reference surfaces (taper reference surface and seating surface) of locating products (SWT/SWQ/SWP/VRA/VRC/VX/VXE/VXF/WVS/VWH/VWM/VWK).
  - Locating products (except VRA/VRC/VX/VXE/VXF and SWR without air blow port) can remove contaminants with the cleaning function. When installing a workpiece or a pallet, make sure there are no contaminants such as thick sludge.
  - Continuous use with dirt on components will lead to locating failure, fluid leakage and malfunction.



- 4) Regularly tighten pipe, mounting bolt, nut, snap ring, cylinder and others to ensure proper use.
- 5) Make sure the hydraulic fluid has not deteriorated.
- 6) Make sure there is a smooth action without an irregular noise.
  - Especially when it is restarted after left unused for a long period, make sure it can be operated correctly.
- 7) The products should be stored in the cool and dark place without direct sunshine or moisture.
- 8) Please contact us for overhaul and repair.

## ● Warranty

### 1) Warranty Period

- The product warranty period is 18 months from shipment from our factory or 12 months from initial use, whichever is earlier.

### 2) Warranty Scope

- If the product is damaged or malfunctions during the warranty period due to faulty design, materials or workmanship, we will replace or repair the defective part at our expense.

Defects or failures caused by the following are not covered.

- ① If the stipulated maintenance and inspection are not carried out.
- ② Failure caused by the use of the non-confirming state at the user's discretion.
- ③ If it is used or operated in an inappropriate way by the operator. (Including damage caused by the misconduct of the third party.)
- ④ If the defect is caused by reasons other than our responsibility.
- ⑤ If repair or modifications are carried out by anyone other than Kosmek, or without our approval and confirmation, it will void warranty.
- ⑥ Other caused by natural disasters or calamities not attributable to our company.
- ⑦ Parts or replacement expenses due to parts consumption and deterioration. (Such as rubber, plastic, seal material and some electric components.)

Damages excluding from direct result of a product defect shall be excluded from the warranty.

Locating  
+  
Clamp

Locating

Hand · Clamp

Support

Valve · Coupler

Cautions · Others

#### Cautions

Installation Notes

Maintenance/  
Inspection

Warranty

#### Company Profile

Company Profile

Our Products

History

#### Index

Search by  
Alphabetical Order

#### Sales Offices

# Sales Offices

## Sales Offices across the World

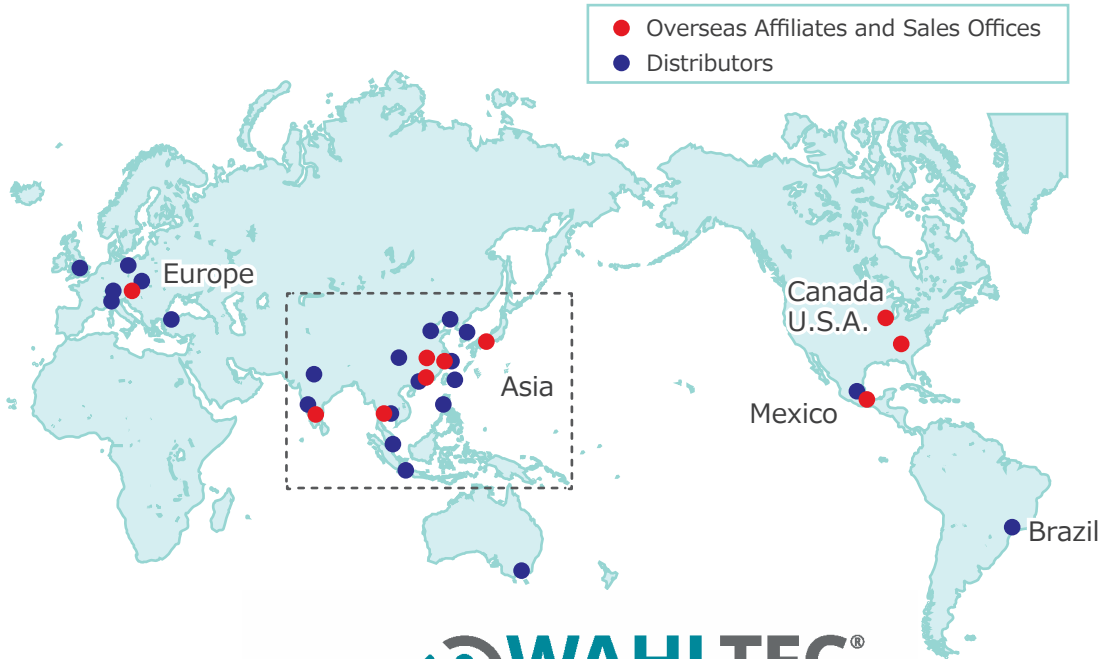
Japan	KOSMEK LTD. HEAD OFFICE	TEL. +81-78-991-5162 FAX. +81-78-991-8787 1-5, 2-chome, Murotani, Nishi-ku, Kobe-city, Hyogo, Japan 651-2241
USA	KOSMEK (USA) LTD. Overseas Affiliate	TEL. +1-630-620-7650 FAX. +1-630-620-9015 650 Springer Drive, Lombard, IL 60148 USA
	KOSMEK (USA) LTD. Atlanta Branch Office	TEL. +1-708-577-3275 303 Perimeter Center North, Suite 300, Atlanta, GA 30346 USA
Mexico	KOSMEK (USA) LTD. Mexico Branch Office	TEL. +52-1-55-3044-9983 Av. Santa Fe 103, Int. 59, col. Santa Fe Juriquilla, Queretaro, QRO, 76230, Mexico
Europe	KOSMEK EUF Overseas Affilia	+287587-20 see Austria
China	KOSMEK (CH) Overseas Affilia	+86-21-5253709 Pudong Shanghai 200125, China
	KOSMEK (CHIN.) Overseas Affilia	+86-755-26000000 Dongguan Guangdong 523843., P.R.China
	KOSMEK (CHIN.) Overseas Affilia	+86-27-87777777 Zone, Wuhan City, Hubei Province, 430050 China
	KOSMEK LTD. Branch	+91-80-26000000 Koramangala, RT Nagar, Bangalore -560032 India
Thailand	KOSMEK Thailand Representative Office Representative Office	TEL. +66-2-300-5132 FAX. +66-2-300-5133 67 Soi 58, RAMA 9 Rd., Phatthanakan, Suanluang, Bangkok 10250, Thailand
Taiwan	FULL LIFE TRADING CO., LTD. Taiwan Exclusive Distributor	TEL. +886-2-82261860 FAX. +886-2-82261890 16F-4, No.2, Jian Ba Rd., Zhonghe District, New Taipei City Taiwan 23511
Philippines	G.E.T. Inc, Phil. Philippines Exclusive Distributor	TEL.+63-2-310-7286 FAX. +63-2-310-7286 Victoria Wave Special Economic Zone Mt. Apo Building, Brgy. 186, North Caloocan City, Metro Manila, Philippines 1427
Indonesia	PT. Yamata Machinery Indonesia Exclusive Distributor	TEL. +62-21-29628607 FAX. +62-21-29628608 Delta Commercial Park I, Jl. Kenari Raya B-08, Desa Jayamukti Kec. Cikarang Pusat Kab. Bekasi 17530 Indonesia

WAHLTEC GmbH  
T: +49 (7584) 9238883  
F: +49 (7584) 9238887  
kosmek@wahltec.de  
www.wahltec.de

## Sales Offices in Japan

Head Office Osaka Sales Office Overseas Sales	TEL. 078-991-5162 FAX. 078-991-8787 1-5, 2-chome, Murotani, Nishi-ku, Kobe-city, Hyogo, 651-2241, Japan
Tokyo Sales Office	TEL. 048-652-8839 FAX. 048-652-8828 81, 4-chome, Onari-cho, Kita-ku, Saitama City, Saitama, 331-0815, Japan
Nagoya Sales Office	TEL. 0566-74-8778 FAX. 0566-74-8808 10-1, 2-chome, Misono-cho, Anjo City, Aichi, 446-0076, Japan
Fukuoka Sales Office	TEL. 092-433-0424 FAX. 092-433-0426 8-10-101, 1-chome, Kamimuta, Hakata-ku, Fukuoka City, Fukuoka, 812-0006, Japan

# Global Network



Asia Detailed Map



WAHLTEC GmbH  
 T: +49 (7584) 9238883  
 F: +49 (7584) 9238887  
 kosmek@wahltec.de  
 www.wahltec.de



● FOR FURTHER INFORMATION ON UNLISTED SPECIFICATIONS AND SIZES, PLEASE CALL US.  
 ● SPECIFICATIONS IN THIS CATALOG ARE SUBJECT TO CHANGE WITHOUT NOTICE.

