

Pneumatic Clamping Systems

Model H□/Q□

Pioneer of Pneumatic Clamp

Pneumatic Clamp Series

The Same Force as a Hydraulic Clamp, Even with Air Pressure



H Series

For Small to Extra-Large IMMs • With Action Confirmation Switch



Fixed Clamp

Model HC



T-Slot Manual-Slide Clamp

Model HB



T-Slot Automatic-Slide Clamp

Model HE

Q Series

Compact Size Clamps for Small IMMs



Manual Block-Slide Clamp

Model QM



T-Slot Manual-Slide Clamp

Model QB



T-Slot Automatic-Slide Clamp

Model QE

Specifications

< Model HC >

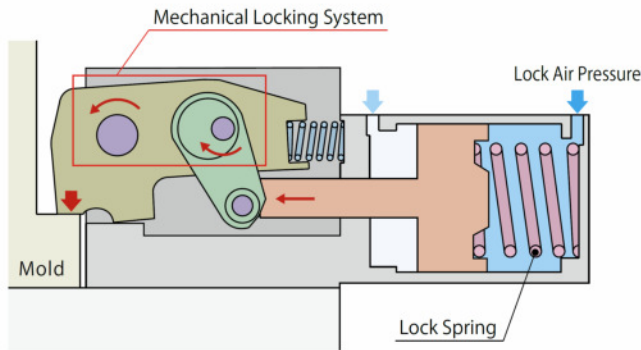
- Clamping Force : 9.8 kN/ 15.7 kN/ 24.5 kN/ 39.2 kN/ 61.7 kN/ 98 kN/ 157 kN/ 245 kN/ 392 kN/ 490 kN • Operating Pressure : 0.49 MPa
- Operating Temperature : 0 ~ 70 °C

< Model QM >

- Clamping Force : 10 kN/ 16 kN/ 25 kN/ 40 kN/ 63 kN • Maximum Operating Pressure : 1.0 MPa • Operating Temperature : 0 ~ 70 °C

Features <Model HC>

Clamping Force and Holding Force at OMPa Air Pressure



The same force as a hydraulic clamp.

<Clamping Force>

Exert the same force as a hydraulic clamp, but with the use of air, spring force and a mechanical locking system.

<Holding Force at OMPa Air Pressure>

The spring force maintains the mold locked even when air pressure drops to OMPa.

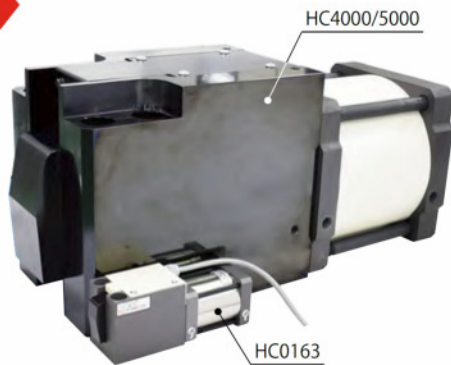
Action Confirmation Switch

Action Confirmation Switch Interlock Function

H series clamps are equipped with a lock/release action confirmation switch.

Larger Sizes Have Been Introduced

NEW
PRODUCT



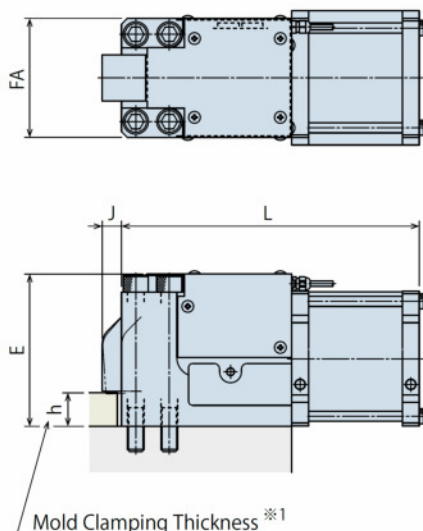
Pneumatic Clamp Capable of 3000 ton IMM

Larger Sizes with Clamping Force : 392kN / 490kN

(Model HC4000 / 5000)

These clamps are available for extra-large 3000 ton IMMs.

External Dimensions <Model HC>



Model No.	Holding Force [kN] (At 0.39 MPa)	IMM Capacity ^{※2} [kN]	E	FA	J	L
HC0103	9.8	~ 500	66	50	10.5	159
HC0163	15.7	~ 750	76	60	12	174
HC0254	24.5	~ 1500	85.5	72	13	195
HC0404	39.2	~ 2500	104.5	90	15.5	217
HC0634	61.7	~ 3500	128	110	17.5	254
HC1004	98	~ 5500	150	135	20	287
HC1604	157	~ 8500	182	142	23	355
HC2504	245	~13000	227	170	26	435
HC4000	392	~20000	275	215	30	563.5
HC5000	490	~30000	275	215	30	563.5

Notes:

※1. We provide HC clamp according to the mold clamping thickness (h dimension).
Please contact us for further information.

※2. It indicates when using four clamps each on both stationary and movable platen.